



GAMZEN
Construction Machinery & Piling Equipments.

B- 19, Sussex Ind. Estate, D. K. Cross Marg, Byculla (E), Mumbai - 27, India.
Tel.: +91 - 22 - 43557861, 23724863 Fax: +91 - 22 - 43557870, 43557875
www.gamzenindia.com • www.gamzenmachines.com • www.gamzenequipments.com




GAMZEN
Construction Machinery
& Piling Equipments.





Established Year 1971

First Company to bring reversible mixer with dial guage & diesel engine

First indigenouse company to, wholly manufacture three product lines SSL, B.P & piling tools.

Profile

We introduce ourselves as manufacturers and exporters, of civil construction equipment including construction machinery like Skid Steer machine with various attachments like Trencher, Auger, Rock breaker, Piling Rigs up to 20 Mtr Depth and many more. We also manufacture concrete mixers, Mobile Batching Plant, Mini excavator, Pilling Equipment Etc.

The Quality Management System has been introduced to each stage of production in order to ensure highest quality products for our elite patrons.

Gamzen is one such organization that explores new horizons of mechanical engineering for various market segments of construction business.

All our products are very well accepted in both domestic Indian and international markets. We have also exported Equipment to Srilanka, Tanzania South Africa etc.

The company has served its best to the construction world in the past decades and it will execute the same till generations. With many years of business company has experienced dynamic international trading and gained its reputation, business and volume.

We Have Four Manufacturing Units In India.
BOMBAY PANVEL UTTARANCHAL - I UTTARANCHAL-II



UNIT NO. 1 MUMBAI



UNIT NO. 3 UTTARAKHAND



UNIT NO. 4 UTTARAKHAND



Index



GAMZEN Technical 90 / 120 / 240 Twinshaft.

Concrete Output/Hr	90 M3	120 M3	240 M3
Aggregate Storage System In-Line-Bin	YES	YES	YES
Aggregate Storage Capacity Heaped	40 m3	60 m3	120 m3
Sand Vibrator	1 NOS	1NOS	1 NOS
Aggregate Weighing System	YES	YES	YES
Weighing Hopper	YES	YES	YES
Electronic Load Cell	6 NOS	6 NOS	6 NOS
Charging Conveyor	YES	YES	YES
Mixer Unit	YES	YES	YES
Type	Twin Shaft	Twin Shaft	Twin Shaft
Capacity	2250/1500	4500/3000	9000/6000
Interchangeable Liner Plate	YES	YES	YES
Cement/Fly Ash Weighing System	YES	YES	YES
Cement/Fly Ash Hopper	YES	YES	YES
Electronic Load Cell	YES	YES	YES
Cement Vibrator	1 NOS	1 NOS	1 NOS
Cement Screw Conveyor	YES	YES	YES
Pneumatic System	YES	YES	YES
Air Compressor	10 HP	10 HP	15 HP
Water Weighing System	YES	YES	YES
Admixture Weighing System	YES	YES	YES
Weighing Container	YES	YES	YES
Load Cell	YES	YES	YES
Fully Automatic Control Panel With Computer & Printer Control Cabin	YES	YES	YES
Connected Load for Standard Plant-hp	160	285	500
Required DG Set KVA	200	375	625

- ▶ Robust and steady structure made for longer durability & Protection from corrosion
- ▶ Higher accuracy because of higher capacity & more number of load cells.
- ▶ Feeders screen to protect oversized aggregate & Sand.
- ▶ No partition will required which saves the civil work and cost.
- ▶ MPCB are provided for all electric motor safety
- ▶ Cover is provided to every electrical motor for Protection against dust & water
- ▶ Pneumatically operated gate for aggregate & sand
- ▶ Vibrators for easy discharge
- ▶ Screw feeders to pour cement speedily, hency increasing productivity
- ▶ Password locking facility
- ▶ Control cabin
- ▶ Water & admixture by weight.
- ▶ Print out port for each batch report
- ▶ Imported twin shaft mixer
- ▶ Separate weighing system for cement & fly ash
- ▶ Cement silo with accessories (Optional)
- ▶ Fully automated PLC control system with SCADA

Accuracy as per IS 4925 ± 1% Cement, ± 1% Water, ± 2% Aggregate. ♦ These output figures apply for continuous output and refer to average quality concrete, round aggregates 0 - 32mm, mixing time of 30 secs. During fully automatic operation. Note: We reserve the right of making technical alterations.



GAMZEN Technical 90 / 120 DRUM

Concrete Output/Hr	90 M3	120 M3
Aggregate Storage System In-Line-Bin	YES	YES
Aggregate Storage Capacity Heaped	40m3	60m3
Sand Vibrator	1 NOS	1NOS
Aggregate Weighing System	YES	YES
Weighing Hopper	YES	YES
Electronic Load Cell	6 NOS	6 NOS
Charging Conveyor	YES	YES
Mixer Unit	YES	YES
Type	Reversible	Reversible
Capacity	2700/1800	4500/3000
Interchangeable Liner Plate	NA	YES
Cement/Fly Ash Weighing System	YES	YES
Cement/Fly Ash Hopper	YES	YES
Electronic Load Cell	2 NOS	2 NOS
Cement Vibrator	YES	YES
Cement Screw Conveyor	YES	YES
Pneumatic System	YES	YES
Air Compressor	10 HP	10 HP
Electronic Load Cell	YES	YES
Admixture System	YES	YES
Weighing Container	YES	YES
Capacity	10 LTR	20 LTR
Load Cell	YES	YES
Connected Load for Standard Plant-hp	125	190
Required DG Set KVA	156	250

Accuracy as per IS 4925 ± 1% Cement, ± 1% Water, ± 2% Aggregate. ♦ These output figures apply for continuous output and refer to average quality concrete, round aggregates 0 - 32mm, mixing time of 30 secs. During fully automatic operation. Note: We reserve the right of making technical alterations.

- ▶ Fully automated PLC control system with SCADA
- ▶ Robust and steady structure made for longer durability & Protection from corrosion
- ▶ Screw feeders to pour cement speedily, hency increasing productivity
- ▶ Pneumatically operated gate for aggregate & Sand
- ▶ No partition will required which saves the civil work and cost.
- ▶ Feeders screen to protect oversized aggregate & sand.
- ▶ MPCB are provided for all electric motor safety
- ▶ Easy maintenance and low running cost
- ▶ Cover is provided to every electrical moter for Protection against dust & water
- ▶ Vibrators for easy discharge
- ▶ Cement Silo with accessories (optional)
- ▶ Control Cabin
- ▶ Water & admixture by weight (60/90/120/140)
- ▶ Print out port for each batch report
- ▶ Higher accuracy because of higher capacity & more number of load cells.
- ▶ Password locking facility
- ▶ Separate weighing system for cement & fly ash



GAMZEN Technical 60 twinshaft and reversible

Concrete Output/Hr	60 M3	60 M3
Aggregate Storage System In-Line-Bin	YES	YES
a. Aggregate Storage Capacity Heaped	20 m3	20 m3
b. Sand Vibrator	YES	1NOS
Aggregate Weighing System	YES	YES
a. Weighing Hopper	YES	YES
b. Electronic Load Cell	6 NOS	6 NOS
Charging Conveyor	YES	YES
Mixer Unit	YES	YES
a. Type	Reversible	Twin Shaft
b. Capacity	1800/1200	1500/1000
Interchangeable Liner Plate	NA	YES
Cement/Fly Ash Weighing System	YES	YES
a. Cement/Fly Ash Hopper	YES	YES
b. Electronic Load Cell	2 NOS	2 NOS
c. Cement Vibrator	YES	YES
Cement Screw Conveyor	YES	YES
Pneumatic System	YES	YES
a. Air Compressor	7.5 HP	7.5 HP
Electronic Load Cell	YES	YES
Admixture System	YES	YES
a. Weighing Container	YES	YES
b. Capacity	10 LTR	10 LTR
c. Load Cell	YES	YES
Connected Load for Standard Plant-hp	65	110
Required DG Set KVA	100	156

Accuracy as per IS 4925 ± 1% Cement, ± 1% Water, ± 2% Aggregate. ♦ These output figures apply for continuous output and refer to average quality concrete, round aggregates 0 - 32mm, mixing time of 30 secs. During fully automatic operation. Note: We reserve the right of making technical alterations.

- ▶ Special design one piece structure
- ▶ Robust and steady structure made for longer durability & protection from corrosion
- ▶ No partition wall required which saves the civil work and cost.
- ▶ Feeders screen to protect oversized aggregate & Sand.
- ▶ MPCB are provided for all electric motor safety
- ▶ quick erection and commissioning
- ▶ Easy maintenance and low running cost
- ▶ Cover is provided to every electrical motor for Protection against dust & Water
- ▶ Vibrators for easy discharge
- ▶ Pneumatically operated gate for aggregate & sand
- ▶ Password locking facility
- ▶ Water & admixture by weight (60/90/120/240) Print
- ▶ Cement silo with accessories (optional)
- ▶ Control cabin
- ▶ PLC control system with SCADA (optional)



GAMZEN Technical 60 / 45 / 30 Pan Type

Concrete Output/Hr	30 M3	45 M3	60 M3
Aggregate Storage System In-Line-Bin	YES	YES	YES
Aggregate Storage Capacity Heaped	10 m3	16 m3	20 m3
Sand Vibrator	YES	YES	YES
Aggregate Weighing System	YES	YES	YES
Weighing Hopper	YES	YES	YES
Electronic Load Cell	4 NOS	4 NOS	6 NOS
Charging Conveyor	YES	YES	YES
Mixer Unit	YES	YES	YES
Type-Reversible/Twin Shaft/Pan/Planetary	750/500	1250/750	PAN
Interchangeable Liner Plate	YES	YES	YES
Cement/Fly Ash Weighing System	YES	YES	YES
Cement/Fly Ash Hopper	YES	YES	YES
Electromagnetic Load Cell	2 NOS	2 NOS	6 NOS
Cement Vibrator	YES	YES	YES
Cement Screw Conveyor	1 NOS	1 NOS	YES
Pneumatic System	YES	YES	YES
Air Compressor	3 HP	5 HP	7.5 HP
Water Weighing System Electronic Load Cell	2 NOS	2 NOS	YES
Admixture System	YES	YES	YES
Weighing Container	YES	YES	YES
Load Cell	1 NOS	1 NOS	10 LTR
Capacity	5 LTR	5 LTR	YES
Connected Load for Standard Plant-hp	25/55/55	48/98/108	65
Required DG Set KVA	63/75/75	63/156/156	100

- ▶ Quick erection and commissioning
- ▶ Easy maintenance and low running cost
- ▶ No partition wall required which saves the civil work and cost.
- ▶ Minimum installation area & minimum civil work
- ▶ Print out port for each batch report
- ▶ Vibrators for easy discharge
- ▶ Screw feeders to pour cement speedily, hence increasing productivity
- ▶ Robust and steady structure made for longer durability & Protection from corrosion
- ▶ MPCB are provided for all electric motor safety
- ▶ Cover is provided for all electric motor safety
- ▶ Pneumatically operated gate for aggregate & Sand

Accuracy as per IS 4925 ± 1% Cement, ± 1% Water, ± 2% Aggregate. * These output figures apply for continuous output and refer to average quality concrete, round aggregates 0 - 32mm, mixing time of 30 secs. During fully automatic operation. Note: We reserve the right of making technical alterations.

GAMZEN Technical 60 / 45 / 30 Pan Type



Accuracy as per IS 4925 ± 1% Cement, ± 1% Water, ± 2% Aggregate. * These output figures apply for continuous output and refer to average quality concrete, round aggregates 0 - 32mm, mixing time of 30 secs. During fully automatic operation. Note: We reserve the right of making technical alterations.

GAMZEN Technical 30 / 60 twinshaft and reversible

Concrete Output/Hr	30 M3	60 M3
Aggregate Storage System In-Line-Bin	YES	YES
Aggregate Storage Capacity Heaped	20 m3	30 m3
Sand Vibrator	YES	YES
Aggregate Weighing System	YES	YES
Weighing Hopper	YES	YES
Electronic Load Cell	4 NOS	4 NOS
Charging Conveyor	YES	YES
Mixer Unit	YES	YES
Type-Twin Shaft/Pan/Planetry	YES	YES
Capacity	750/500	1500/1000
Interchangeable Liner Plate	YES	YES
Cement/Fly Ash Weighing System	YES	YES
Cement/Fly Ash Hopper	YES	YES
Electronic Load Cell	2 NOS	2 NOS
Cement Vibrator	YES	YES
Cement Screw Conveyor	YES	YES
Pneumatic System	YES	YES
Air Compressor	5 HP	7.5 HP
Electronic Load Cell	YES	YES
Admixture System	YES	YES
Weighing Container	YES	YES
Capacity	5 LTR	5 LTR
Load Cell	YES	YES
Connected Load for Standard Plant-hp	70/80	125/150
Required DG Set KVA	125/156	165/200

Accuracy as per IS 4925 ± 1% Cement, ± 1% Water, ± 2% Aggregate. ♦ These output figures apply for continuous output and refer to average quality concrete, round aggregates 0 - 32mm, mixing time of 30 secs. During fully automatic operation. Note: We reserve the right of making technical alterations.

- ▶ Robust and steady structure made for longer durability & Protection from corrosion
- ▶ Easy maintenance and low running cost
- ▶ Quick erection and commissioning
- ▶ No Partition wall required which saves the civil work and cost.
- ▶ MPCB are provided to every electrical motor for protection against dust & water
- ▶ Minimum installation area & minimum Civil work
- ▶ Print out port for each batch report
- ▶ Separate weighing system for cement & fly ash
- ▶ password locking facility
- ▶ Screw feeders to pour cement speedily, hence increasing Productivity
- ▶ Vibrators for easy discharge
- ▶ Pneumatically operated gate for aggregate & sand
- ▶ Cover is provided to every electrical motor for Protection against dust & water
- ▶ Control cabin
- ▶ Cement silo with accessones (optional)
- ▶ PLC control system with SCADA (optional)



GAMZEN Technical 20 / 30 / 40 twinshaft and reversible

Concrete Output/Hr	20 M3	30 M3	40 M3
Aggregate Storage System In-Line-Bin	YES	YES	YES
Aggregate Storage Capacity Heaped	8 m3	10 m3	16 m3
Sand Vibrator	YES	YES	YES
Aggregate Weighing System	YES	YES	YES
Weighing Hopper	YES	YES	YES
Electronic Load Cell	4 NOS	4 NOS	4 NOS
Charging Conveyor	YES	YES	YES
Mixer Unit	YES	YES	YES
Type-Reversible/Twin Shaft/Pan/Planetry	550/350	750/500	1250/750
Interchangeable Liner Plate	YES	YES	YES
Cement/Fly Ash Weighing System	YES	YES	YES
Cement/Fly Ash Hopper	YES	YES	YES
Electromagnetic Load Cell	2 NOS	2 NOS	2 NOS
Cement Vibrator	YES	YES	YES
Cement Screw Conveyor	1 NOS	1 NOS	1 NOS
Pneumatic System	YES	YES	YES
Air Compressor	2 HP	3 HP	5 HP
Water Weighing System Electronic Load Cell	2 NOS	2 NOS	2 NOS
Admixture System	YES	YES	YES
Weighing Container	YES	YES	YES
Load Cell	1 NOS	1 NOS	1 NOS
Capacity	5 LTR	5 LTR	5 LTR
Connected Load for Standard Plant-hp	20/40/40	25/55/55	48/98/108
Required DG Set KVA	50/63/63	63/75/75	63/156/156

- ▶ Mobile Plant easy for transportation From one site to another (only 20)
- ▶ Quick erection and commissioning
- ▶ Easy maintenance and low running cost
- ▶ No partition wall required which saves the civil work and cost.
- ▶ Minimum installation area & minimum civil work
- ▶ Print out port for each batch report
- ▶ Vibrators for easy discharge
- ▶ Screw feeders to pour cement speedily, hence increasing productivity
- ▶ Robust and steady structure made for longer durability & Protection from corrosion
- ▶ MPCB are provided for all electric motor safety
- ▶ Cover is provided for all electric motor safety
- ▶ Pneumatically operated gate for aggregate & Sand

Accuracy as per IS 4925 ± 1% Cement, ± 1% Water, ± 2% Aggregate. ♦ These output figures apply for continuous output and refer to average quality concrete, round aggregates 0 - 32mm, mixing time of 30 secs. During fully automatic operation. Note: We reserve the right of making technical alterations.



GAMZEN

Reversible Drum Type Mini Mobile Batching Plant.
500, 750 & 1100 RM / RD electric motor / diesel engine operated



Class is made of Hollow Square and rectangular sections. Heavy Duty Gear Box and Timer Control Panel is provided. Digital Water Meter, Ad-Mixture Unit and other options are provided. In case of diesel operated machines, Water Pump is provided which is operated by same engine.

Models	500 RM	750 RM/RD	1100 RM
Out put	cum/hr 9/12	12/15	15/20
Drum Length / Drum	mm 1590	1990	2370
Drum Diameter / Motor	mm 1295	1295	1600
Diesel Engine	hp 20 0	20	20/12.5
Electric Motor	hp 7.5	12.5	16/20
Rotary Speed of Mixing Drum	rpm 16/20	16/20	650
Size of Drum Opening	mm 535	535	180
Water Tank	ltrs 180	180	
Pneumatic Wheels	600 x 16	600 x 16	35
Hydraulic Tank	ltrs 14	14	120
Hydraulic Tank (Diesel Engine)	ltrs 120	120	
Dial Calibration	kgs 800	1200	Gear Box
Drive (In RM)	Gear Box	Gear Box	1500
Drum Discharge Hdight Dial Gauge Mach.	mm 1000	1000	1500
Drum Discharge Height 3 Bin Machine	mm 1500	1500	Digital electronic
Electronic Load Cells	Digital Electronic	Digital Electronic	

1/2/3/4 Bin / Digital Electronic Water Meter / Digital Ad-Mixture Unit / Vibrator and Inbuilt Printer all Optional

Accuracy as per IS 4925 ± 1% Cement, ± 1% Water, ± 2% Aggregate. * These output figures apply for continuous output and refer to average quality concrete, round aggregates 0 - 32mm, mixing time of 30 secs. During fully automatic operation. Note: We reserve the right of making technical alterations.

Steel Gear Ring
Hollow Section Frame
Double Reduction
Gear Box



GAMZEN

Piling Winches & Accessories.
2.5t, 5.0t, 7.5t, 10t, 12.5t



Type	2.5T	5.0T	7.5T	10.0T	12.5T
No. Of drum	1 OR 2	1 OR 2	1 OR 2	1 OR 2	1 OR 2
Wire rope	18mm	28mm	32mm	32mm	32mm
H.F. Required	40	60	80	66	120

Note: We reserve the right of making technical alterations.

ACCESSORIES
Sludge Pumps - Casing of all sizes & all types - Tripods - Chisels - Trimmie Hoppers - Pipes
D.M.C. Chisels - D.M.C. Rods - Bentonite Funnels - R.m.c Chisels.

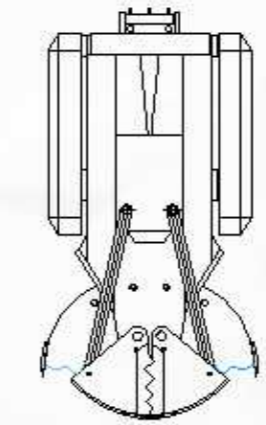
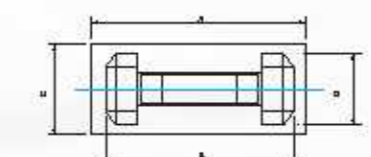
Diaphragm Wall Grab

Panel 2500

Panel Width x Length	A	B	C	D	Weight
500 X 2500	2400	2500	500	470	7110
600 X 2500	2400	2500	600	570	7220
800 X 2500	2400	2500	800	770	7350
1000 X 2500	2400	2500	1000	970	7510
1200 X 2500	2400	2500	1200	1170	7720

Panel 3000

Panel Width x Length	A	B	C	D	Weight
600 X 3000	2900	3000	600	570	11790
800 X 3000	2900	3000	800	770	12410
1000 X 3000	2900	3000	1000	970	13120
1200 X 3000	2900	3000	1200	1170	13600
1500 X 3000	2900	3000	1500	1470	14110



Concrete Buckets 0.5 - 6m Capacity With Pneumatic Door.



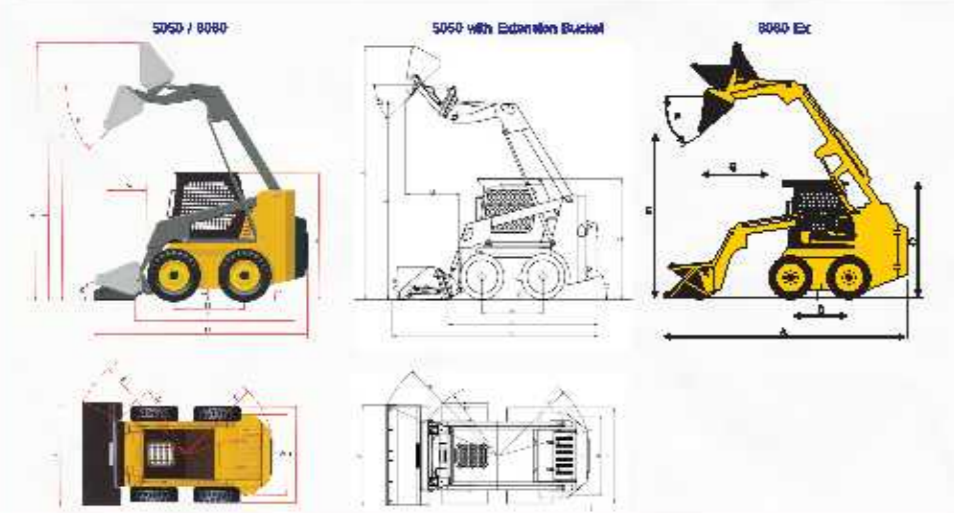
Orange Peel Grab

GAMZEN Skid Steer

Dimensions		5050	5050 with Extension Bucket	8080	
Overall operating height (to top of bucket)	A	mm	3670	4131	4128
Overall operating height (to hinge pin)	B	mm	2970	2970	3225
Overall Height	C	mm	2025	2025	2055
Overall Length (with bucket)	D	mm	3270	3519	3509
Overall Length (without bucket)	E	mm	2560	2560	2777
Overall Width	F	mm	1690	1690	1885
Tread Width (or track gauge)	G	mm	1330	1330	1502
Wheel Base (or Length of track on ground)	H	mm	1045	1045	1181
Ground Clearance	J	mm	174	174	195
Dump Angle	K	degree	42	42	38
Dump Height	L	mm	2236	3274	2632
Dump Reach	M	mm	805	817	544
Rollback at ground	N	degree	23	23	26
Turn circle front (Without bucket)	Q	mm	1234	1234	1304
Turn circle front (With bucket)	R	mm	1858	1858	2128
Turn circle rear	S	mm	1490	1490	1841
Overall width (without bucket)/width overtyres	T	mm	1603	1603	1760
Departure angle	U	degree	24	24	26
Tyre (4 Wheel)			10 x 16.5 - 10PR	10 x 16.5 - 10PR	12 x 16.5 - 12PR

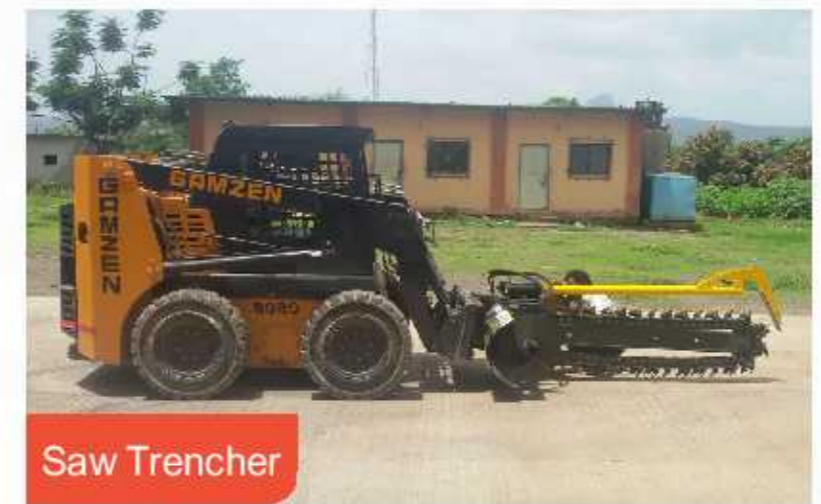
Performance		Hyundai/Cummins	Hyundai/Cummins	Cummins
Engine		Hyundai/Cummins	Hyundai/Cummins	Cummins
Rated operating capacity	kg	850	790	1140
Tipping load	kg	1680	1680	2290
Operating weight	kg	2680	2680	3320
Travel speed	km/h	11.0	11.0	11.5
Bucket capacity (Heaped capacity)		0.5m ³	0.5m ³	0.7m ³

Note: We reserve the right of making technical alterations.



GAMZEN

• Cutter chain fitted with wear resistant picks to achieve maximum performance with minimum wear costs



Saw Trencher

• Neat, clean and effective trenching for hard strata & difficult conditions



Rock Wheel Trencher



Piling

GAMZEN Skid Steer



FORK LIFT



COLD PLANER



VACUUM SWEEPER



Grass Mower



Lifting Hook



DITCH BUCKET



SNOW BLOWER



BREAKER



CONCRETE MIXER

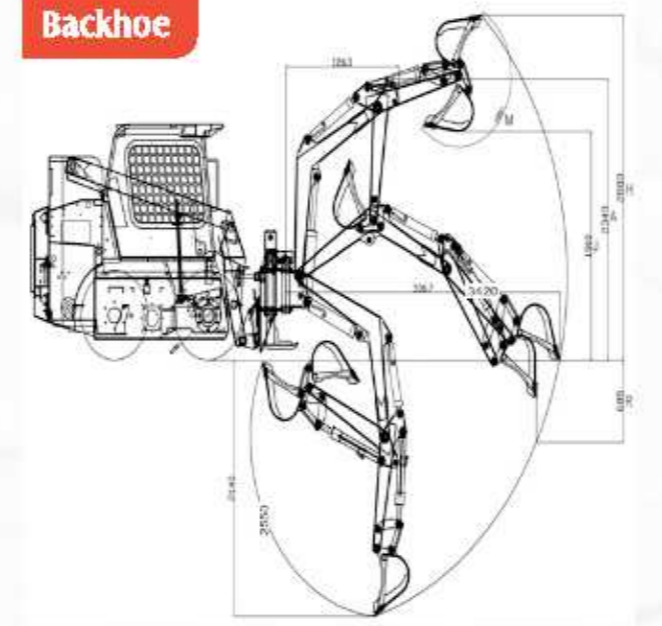
Backhoe

SPECIFICATIONS	
Dimensions	
Weight of backhoe with bucket	700kg
Transport height	2439mm
Outrigger width	1445mm
Max. digging depth	2660mm
Overall operating height, fully raised	2883mm
Dump Height	1910mm
Dump reach	1263mm
Bucket rotation	185degree
Reach from swing pivot	3420mm
Swing arc	180degree
Outrigger spread operating position	1325mm
Straight wall digging depth	665mm
Max. breakout force	16.55kn
Backhoe Bucket	300mm/450mm/600mm/850mm



Backhoe

Backhoe



GAMZEN Mini Excavator



STUMP GRINDER



MULCHER



Grapple



Tree Cutter



Oil Drum Clamp



POLE ERECTOR



Bucket with Hydraulic Grab



SWEEPER



PD VIBRATORY



VIBRATORY ROLLER



Grader

Technical Specification	
Grader Blade Length	4 Feet Long Standard / 10 Feet Optional
Front Blade	6 Feet Blade Attached to Scoffler (Optional)
Grader Blade Can Tip In Full Angle Position	6°/9°
Scoffler	3 Nos. Scraper Goms (Optional)
Grader Blade Vertical Travel	16"
Blade Angle	28 Both Directions
Turning Radius	Approx. 22.5 Meters
Grader Blade Side Shift	24"
Grader Blade Height	18"
Tyre Size	10 x 18.5 (3 Nos.)
Cabin RCPS	



AUGER

GAMZEN Drilling Tools For Rotary Rigs.

DOUBLE DOOR ROTATING FLAP ROCK BUCKET.



DOUBLE DOOR ROCK BUCKET.



EXCAVATING BUCKETS



ADAPTER



CORE BAREL WITH REPLACEABLE T.C BITS.



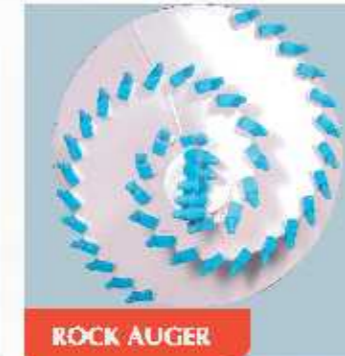
SOIL AUGER



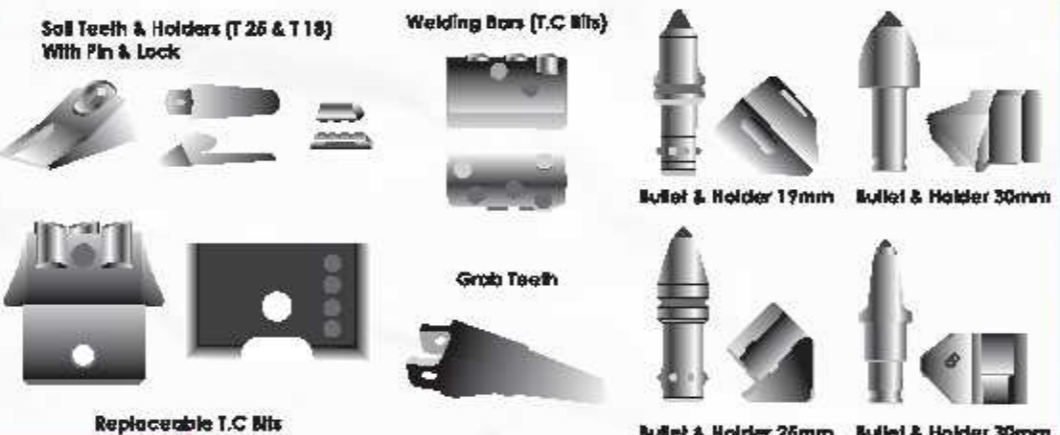
ROCK AUGER



SOIL AUGER



ROCK AUGER



ACCESSORIES

GAMZEN Mini Excavator



GEX 20 Excavator
 Operating Weight : 2240 kg
 Engine : Yanmar D17NVC
 Rated Power : 15.2 hp/2200 rpm
 Standard bucket capacity : 0.07csm
 Standard bucket wide : 500mm

Mini Excavator



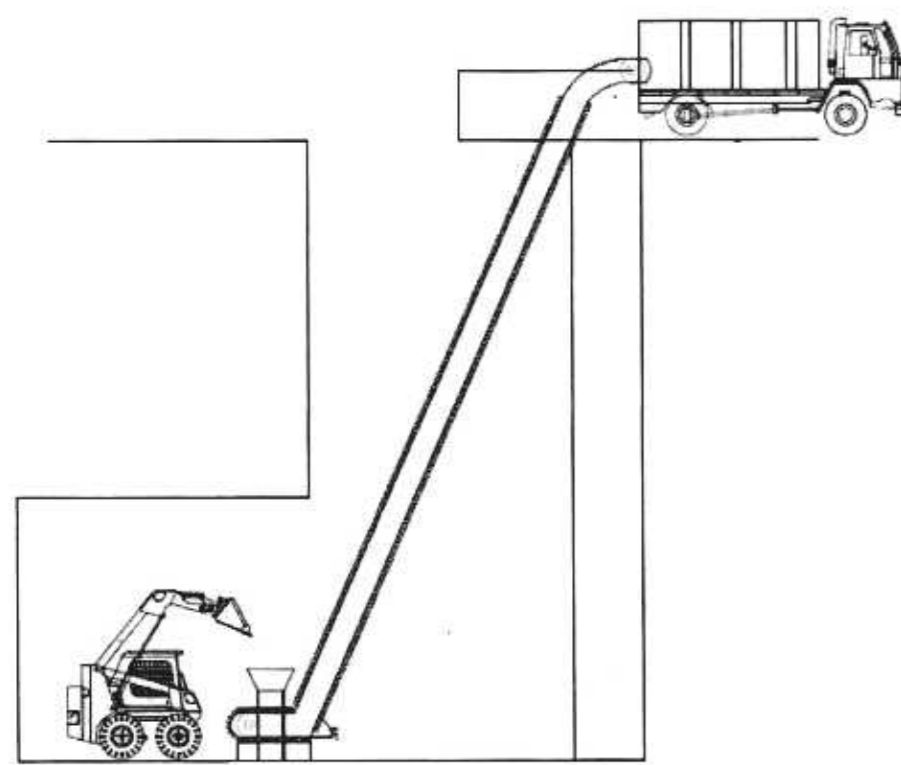
Mini Loader / Walk Behind Loader

Specifications	Features	
Principle Dimension		
Overall Length (trans pos)	E	3630mm
Overall Height (trans pos)	J	2420mm
Width of Undercarriage	L	1385mm
Width of Track	M	250mm
Length of Track	F	1696mm
Dist. between Undercarriage and Ground	N	281mm
Width of Platform	L	1385mm
Dist. between Platform and Ground		560mm
Characteristics		
Operation Hydraulic Pressure		20.5Mpa
Maximum Digging Force		17.6kN
Maximum Gradeability		30
Traveling Speed		2.5-4.3 km/h
Maximum traction		27.6kN
Swing Speed of Platform		9.4rpm
Variable displacement pump capacity L/min.		20.4+20.4+10+11
Operating envelope		
Maximum Digging Height	G	4010mm
Maximum Dumping Height	H	2440mm
Maximum Digging Depth	A	2440mm
Maximum Depth for Bulldozing		360mm
Maximum Height for Bulldozing	K	250mm

Model	800
Engine	13.5hp, Petrol / Diesel Engine
Capacity	800 kg
Dimension	226*75*114 (cm)

Model	1000
Engine	13.5hp, Petrol / Diesel Engine
Capacity	1000 kg
Dimension	107*75*45* (cm)

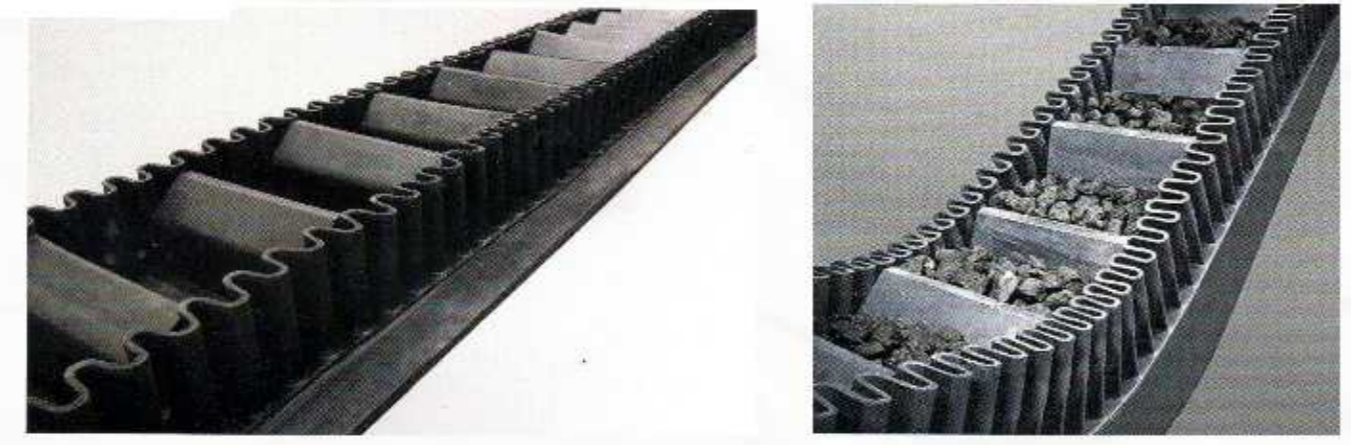
Model	1200M
Engine	13.5hp, Petrol / Diesel Engine
Capacity	1200 kg
Dimension	167*95*42(cm)



Specially designed conveyor system for special purpose applications

- ▶ Conveyor belt along with structure can be inclined from 0° deg to 70° deg w.r.to horizontal surface.
- ▶ Suitable capacity of motor & gear box provided
- ▶ All structural component duly oven baked painted after the short blasting process.

Removal of muck & directly loading in the dumper using the specially designed & developed system using conveyor belt



Cement / Flyash silo are integral piece of batching plant. The silo allows the material to be purchased & stored in bulk keeping costs to minimum

Silos capacity 50 tons to 250 tons.



OVERHEAD CABLING

Gamzen takes up on turnkey basis the complete overhead cabling work which includes drilling and foundation of poles, electric pole erection, and cabling. Gamzen handles the full project with timely execution.



UNDERGROUND CABLING

Gamzen takes over the complete project of underground cable installation. It includes trenching in the rocky condition, different types of soil condition and on concrete roads. This job is carried out with the help of underground trenching equipments manufactured by Gamzen. The project is on turnkey basis.



BATCHING PLANTS AND SKID STEER ON LEASE

We provide various construction machineries on lease. It includes batching plants upto 240 cum/hour, skid steer loader and various skid steer attachments. Gamzen undertakes the operation as well as the maintenance of the above-stated machines. The company aims at meeting the demands of construction and real estate industry by supplying the machines on rental basis. It proves to be very cost-effective.

